

Series W5000

Stainless Steel Check Valve

Technical Data Sheet



Further
Information



Description

The W5000 Series stainless steel check valve is designed to prevent backflow and protect system integrity. It is available with DIN/ISO welded or clamp connections. Supplied de-oiled and de-greased, this valve is ideal for liquid cooling systems where glycol-based coolants or other corrosive media are present.

Size: DN15-DN100

Media: water, ≤50% ethylene glycol*

Features

- Minimal pressure loss
- Supplied de-oiled and de-greased
- Designed for convenient maintenance

*Note: For usage with other media including oil or gas, please contact us.



Figure 1
W5000 SS Check Valve - Welded



Figure 2
W5000 SS Check Valve - Clamp

Product Codes

Part	Type	DN/Size
SS weldable Check valve DIN		
61060081	W5600	DN15
61060082	W5600	DN20
61060083	W5600	DN25
61060084	W5600	DN32
61060085	W5600	DN40
61060086	W5600	DN50
61060087	W5600	DN65
61060088	W5600	DN80
61060089	W5600	DN100
SS weldable Check valve ISO		
61060090	W5600	1"
61060091	W5600	1 1/4"
61060092	W5600	1 1/2"
61060093	W5600	2"
61060094	W5600	2 1/2"
61060095	W5600	3"
61060096	W5600	3 1/2"
61060097	W5600	4"

Part	Type	DN/Size
SS clamp check valve DIN		
61060099	W5800	DN15
61060100	W5800	DN20
61060101	W5800	DN25
61060102	W5800	DN32
61060103	W5800	DN40
61060104	W5800	DN50
61060105	W5800	DN65
61060106	W5800	DN80
61060107	W5800	DN100
SS clamp check valve ISO		
61060108	W5800	1"
61060109	W5800	1 1/4"
61060110	W5800	1 1/2"
61060111	W5800	2"
61060112	W5800	2 1/2"
61060113	W5800	3"
61060114	W5800	3 1/2"
61060115	W5800	4"

Materials

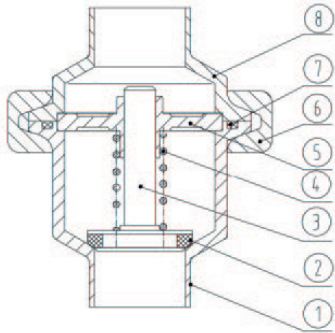


Figure 3: W5600 SS Check Valve - Materials

No.	Part	Material
1	Body	Stainless steel
2	Seal	EPDM (FKM optional)
3	Disc	Stainless steel
4	Spring	Stainless steel
5	Seat	Stainless steel
6	Clamp	Stainless steel
7	Seal	EPDM (FKM optional)
8	Bonnet	Stainless steel

Technical Data

Pressure-Temperature

- Nominal pressure: PN10
- Temperature range: -10°C-100°C
- Connection standard:
 - Welding: DIN 11850 / ISO 2037
 - Clamp: DIN 32676 / ISO 2852

- Test standard: GB/T 13927 EN12266-1
- Suitable media: Water, ≤50% ethylene glycol*

*Note: For usage with other media including oil or gas, please contact us.

Installation Dimensions

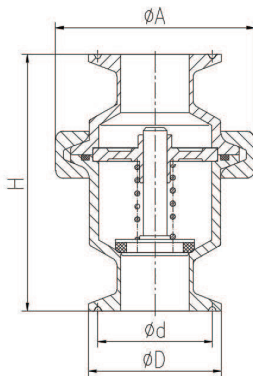


Figure 4: W5600 SS Check Valve – DIN/ISO Welding

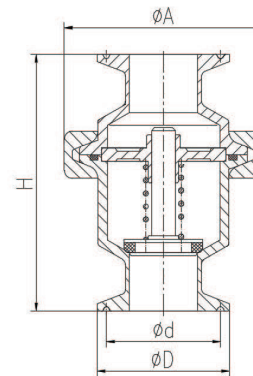


Figure 5: W5600 SS Check Valve – DIN/ISO Welding

DIN Welding W5600 - by size

Size	ØD	t	ØA	H
3/4	19.05	1.5	72	97
1	25.4	1.5	72	97
1 1/4	31.8	1.5	72	97
1 1/2	38.1	1.5	87	97
2	50.8	1.5	102	97
2 1/2	63.5	2.0	116	97
3	76.2	2.0	133.6	97
3 1/2	88.9	2.0	144.5	101
4	101.6	2.0	169.3	103

DIN Welding W5600 – by DN

DN	ØD	t	ØA	H
DN15	19	1.5	72	97
DN20	23	1.5	72	97
DN25	29	1.5	72	97
DN32	35	1.5	72	97
DN40	41	1.5	87	97
DN50	53	1.5	102	97
DN65	70	2.0	116	97
DN80	85	2.0	144.5	101
DN100	104	2.0	169.3	103

Installation Dimensions

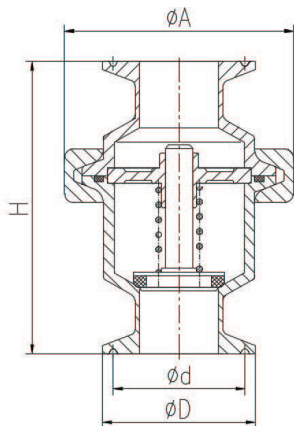


Figure 6: W5600 SS Check Valve - Clamp

DIN Clamp W5800

DN	ØD	Ød	ØA	H
DN15	34	27.5	72	97
DN20	34	27.5	72	97
DN25	50.5	43.5	72	97
DN32	50.5	43.5	72	97
DN40	50.5	43.5	87	97
DN50	64	56.5	102	97
DN65	91	83.5	117	97
DN80	106	97	144.5	101
DN100	119	110	157	103

The descriptions and photographs contained in this product specification sheet are supplied by way of information only and are not binding.

Watts Industries reserves the right to carry out any technical and design improvements to its products without prior notice. Warranty: All sales and contracts for sale are expressly conditioned on the buyer's assent to Watts terms and conditions found on its website at www.wattswater.eu. Watts hereby objects to any term, different from or additional to Watts terms, contained in any buyer communication in any form, unless agreed to in a writing signed by an officer of Watts.



For Orders & Enquiries
 Contact our Solutions & Mega Projects Team
 at megateam@wattswater.com
 or scan QR for further product details.



Watts Benelux

Beernemsteenweg 77A • 8750 Wingene • België
 Bezoekadres NL: Kollergang 14 • 6961 LZ Eerbeek • Nederland
 Tel. BE +32 51 65 87 08 • Tel. NL +31 313 673 700
benelux@wattswater.com • www.watts.com